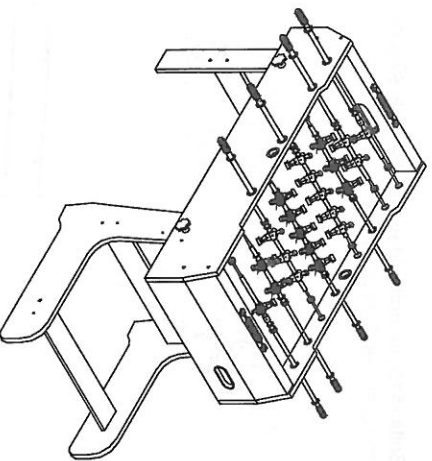


TABLE SOCCER

Model#SUO-4824FA



Assembly Instructions . Parts List

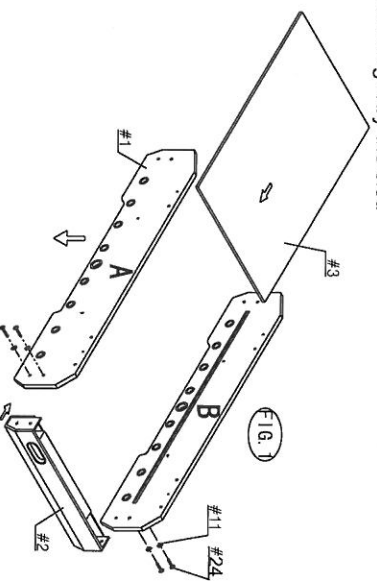
⚠ WARNING: Choking Hazard--Toy contains small balls and/ or small parts. Not for children under 3 years.
IMPORTANT!
 Please keep your instructions. Before attempting assembly, please read through this instruction book to familiarize yourself with all the parts and assembly steps. We recommend that two adults assemble the football table. Please refer to the parts list below and be sure that all parts have been included.

PARTS LIST

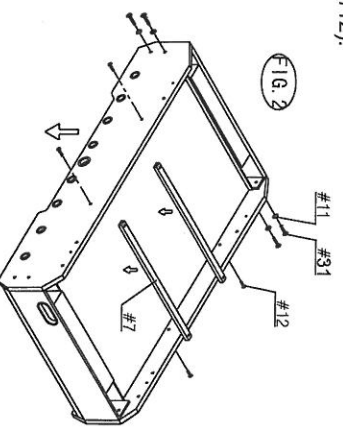
1		2		3		4		5		6	
7	SIDE APRON 2EA	8	END APRON 2EA	9	SOCCER PLAYFIELD 1EA	10	A LEG 2EA	11	A LEG 2EA	12	END LEG BRACE 3EA
13	SUPPORT BRACE 2EA	14	8X45MM BOLT 4EA	15	22X6.5MM WASHER 8EA	16	3.5 X 45MM WASHER HEAD SCREW 12EA	17	18X6.5MM WASHER 8 EA	18	3.5 X 40MM WASHER HEAD SCREW 4EA
19	M8 NUT 4EA	20	3.5X21MM FLAT HEAD SCREW 4EA	21	8X40MM WING BOLT 4EA	22	1 PLAYER ROD ASSEMBLY RED 1 EA	23	2 PLAYER ROD ASSEMBLY RED 1 EA	24	3 PLAYER ROD ASSEMBLY RED 1 EA
25	5 PLAYER ROD ASSEMBLY 1 EA	26	1 PLAYER ROD ASSEMBLY BLUE 1 EA	27	2 PLAYER ROD ASSEMBLY BLUE 1 EA	28	3 PLAYER ROD ASSEMBLY BLUE 1 EA	29	5 PLAYER ROD ASSEMBLY BLUE 1 EA	30	6X35MM BOLT 8EA
31	HAND GRIP 8EA	26	ALLEN WRENCH 1EA	27	SOCCER BALL 2EA	28	SCORER 2EA	29	WRENCH 1EA	30	Pre lock WASHER 16 EA
	Pre lock NUT 8EA		Pre lock WASHER 8EA								

- ASSEMBLY INSTRUCTIONS:**
- 1) Open the carton of your new football table close to the place where you are actually going to use the table.
 - 2) Remove all the contents from inside the cartons and verify that you have all the listed parts as shown on the parts list. We suggest that you use the bottom carton as a clean flat working area to protect the table. Carefully cut or tear the four carton corners from the largest carton so that the bottom carton is now your work area.

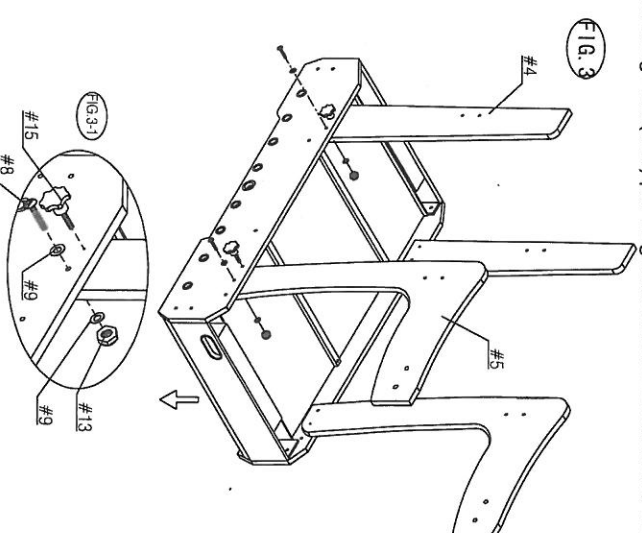
- 3) Attach one End Apron (#2) between Side Aprons (#1) Secure with two of Leg Bolts (#24) and two of Washers (#11) per side apron, screw them through Side Aprons into End Apron. NOTE: Leave connections loose - Do not tighten screws securely at this time.
- 4) Locate Playfield (#3) and slide the Playfield with graphics facing down as shown in FIG. 1. If the field does not slide smoothly, check to be sure you have not over tightened any screws or the playfield is not caught by the slot.



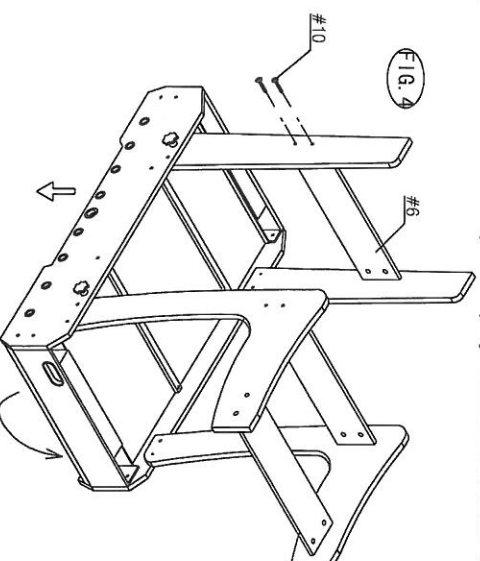
- 5) Repeat the step to attach the other End Apron (#2) to the Side Aprons (#1). Center the playfield between the two end aprons and make sure that the playfield is in the grooves of the side aprons and end aprons. NOTE: Be sure that two side aprons and end aprons are square. Now go back and tighten all the connections.
- 6) Place the Support Brace (#7) on the Playfield (#3) as shown in FIG. 2. Attach it using four of Washer Head Screws (#12).



- 7) Attach the (#4) and (#5) Legs to the Cabinet using one of Bolts (#8), two of Washers (#9), one of Nut (#13), one of Wing Bolt (#15) per Leg as shown in FIG. 3 and 3-1.



- 8) attach the three End Leg Braces (#6) to the Legs (#4 & #5) using Washer Head Screw (#10). See FIG. 4.
- 9) Lift the table assembly from the floor with two strong adults, turn it over and set table on its legs in the location where you will play. Go back and make sure that all connections are tight.



CAUTION: Two adults are needed to flip the table as shown.
 1. Pick up the table, one adult on each end. Do not hold the legs! You should pick up the table at the table cabinet!
 2. Turn the table over.
 3. Place it on all four feet at the same time on the ground.

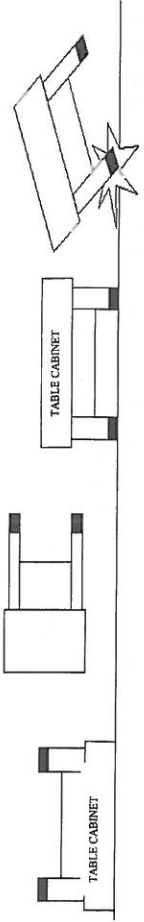


FIG. 5.

10) Put the Washers (#28) on the ends of inner Player Rods. Slide the Player Rods (#16 to #23) through the Player Rod Bushing. Attach Nut (#29) and Washers (#28) on the ends of inner rods.
 11) Put the Hand Grips (#25) on the player rods in order. NOTE: To make the Handles easier to attach, spray a little window cleaner on the rod ends prior to installation and tap on gently with a hammer. See FIG. 6.

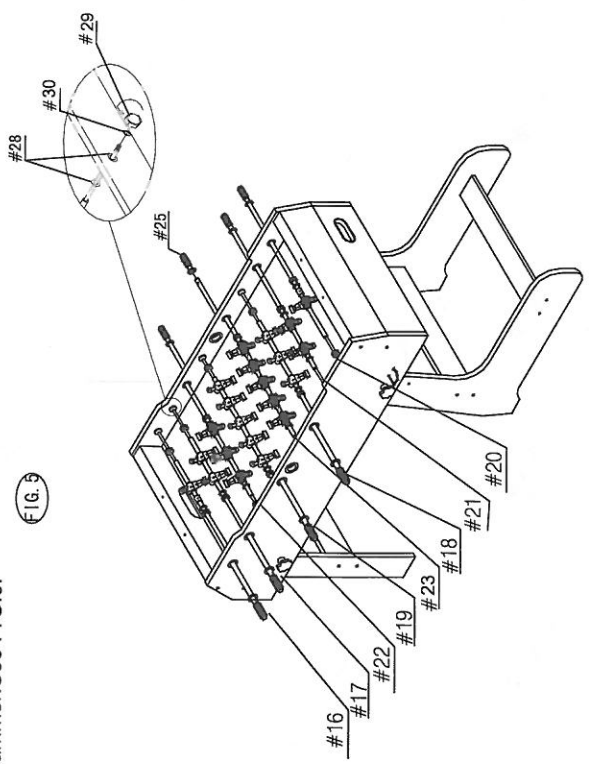


FIG. 6.
 12) Attach the two Scorers (#28) to the End Aprons using two of Flat Head Screws (#14) per Scorer. See FIG. 6.

THE GAME ASSEMBLY IS COMPLETE.
 YOU ARE NOW READY TO PLAY

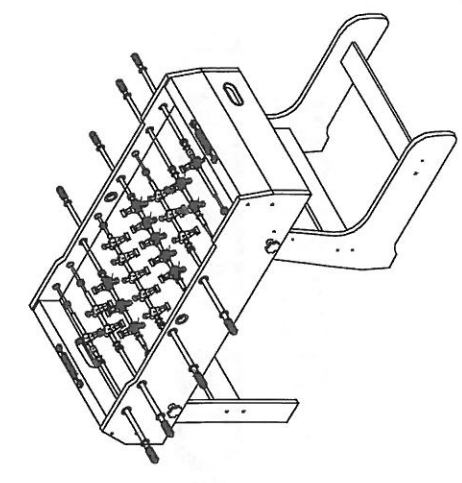
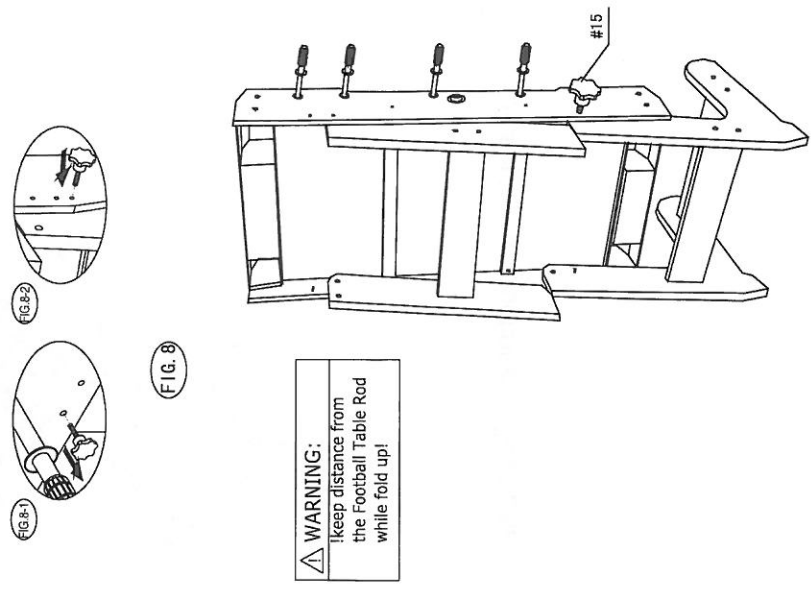


FIG. 7.

FIG. 8.

13) Loosen the Wing Bolts (#15) on both sides, fold the table. See FIG. 8-1. Then insert the Locking Pins into the holes per Side, as shown in FIG. 8-2.



⚠ WARNING:
 Keep distance from
 the Football Table Rod
 while fold up!