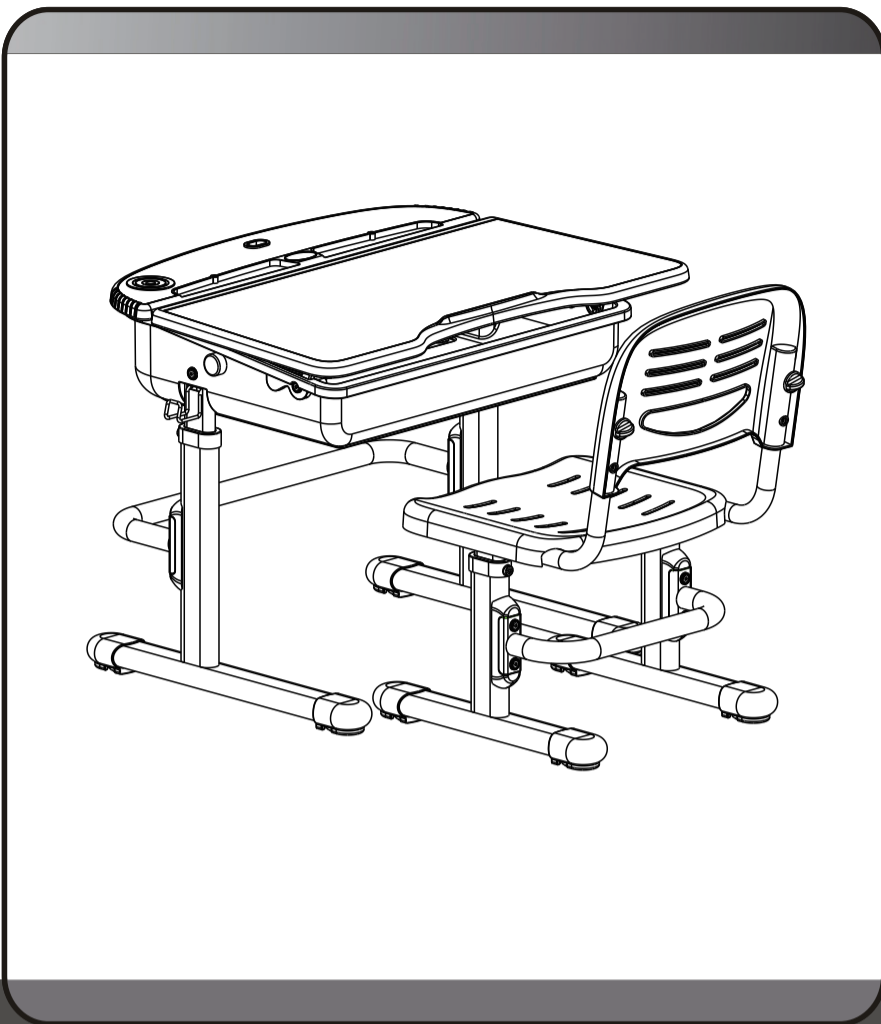
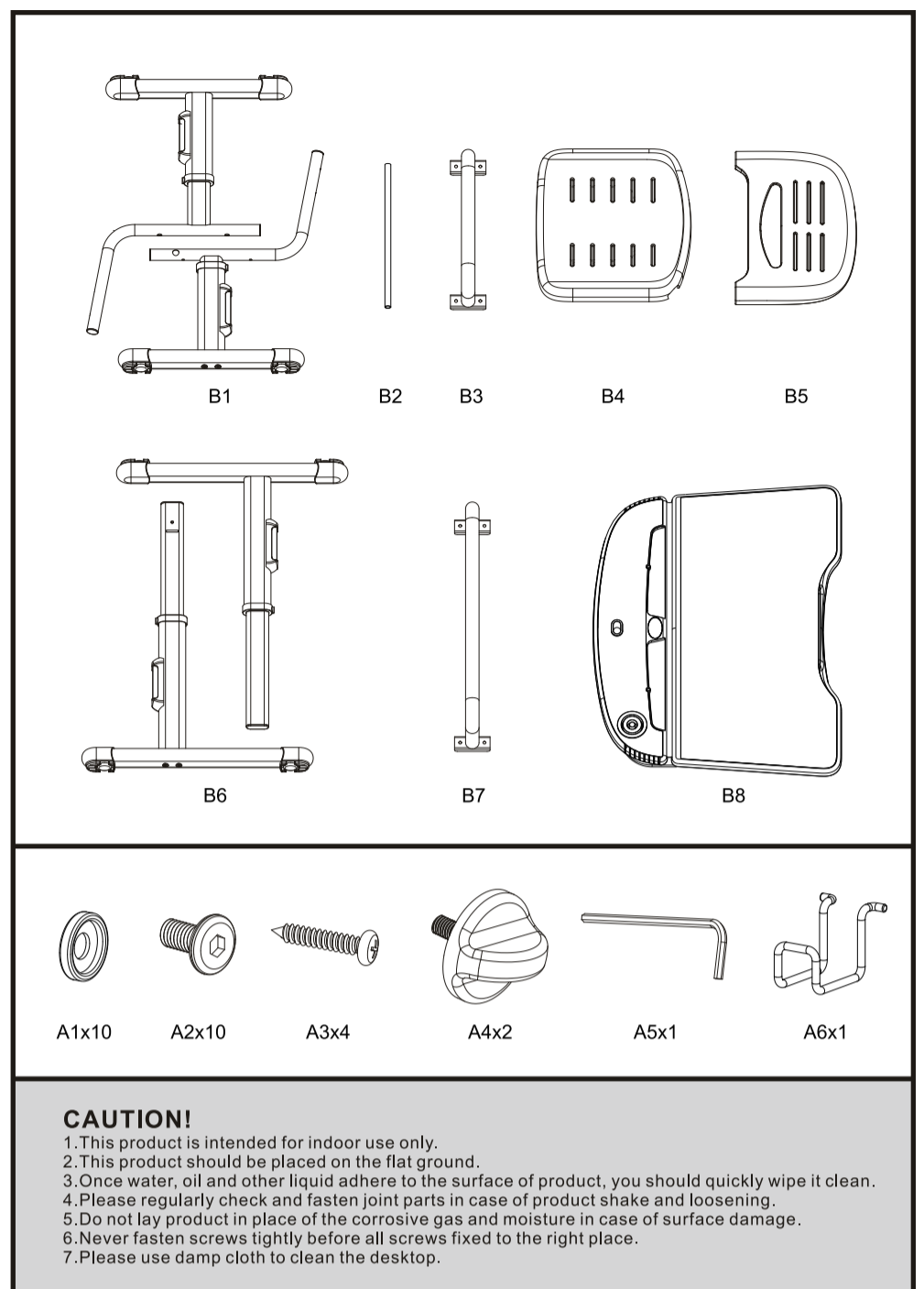


MERKELL®



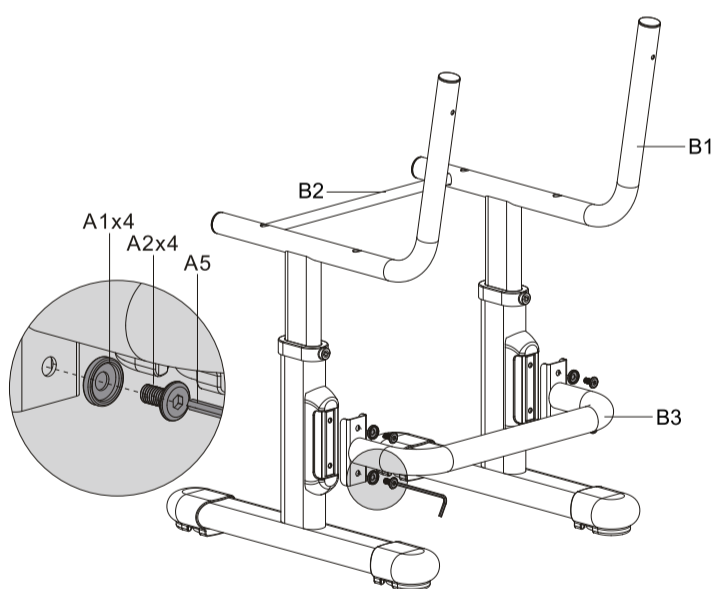
Children's Healthy Desk & Chair

ASSEMBLY INSTRUCTIONS

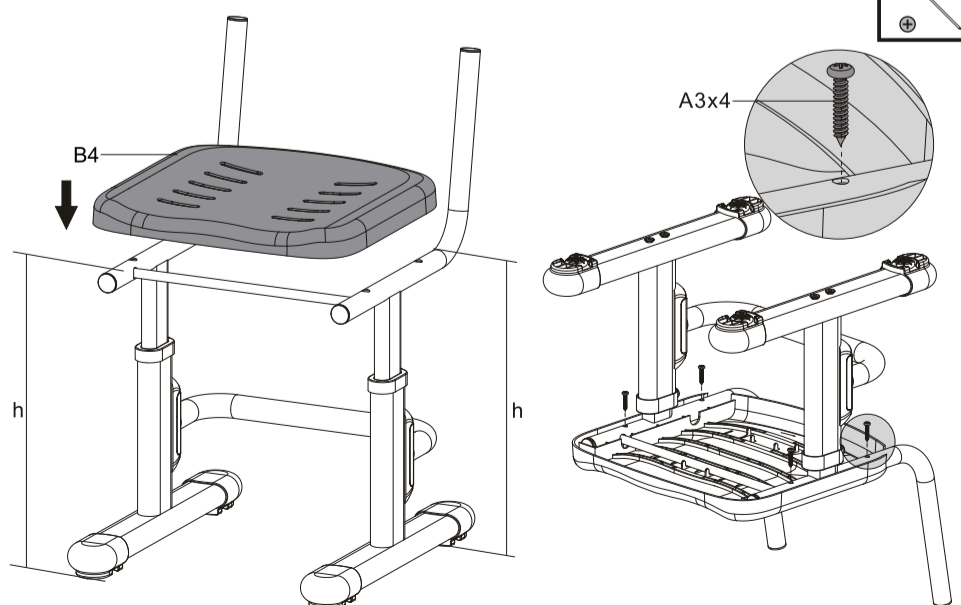


CHAIR ASSEMBLY INSTRUCTIONS

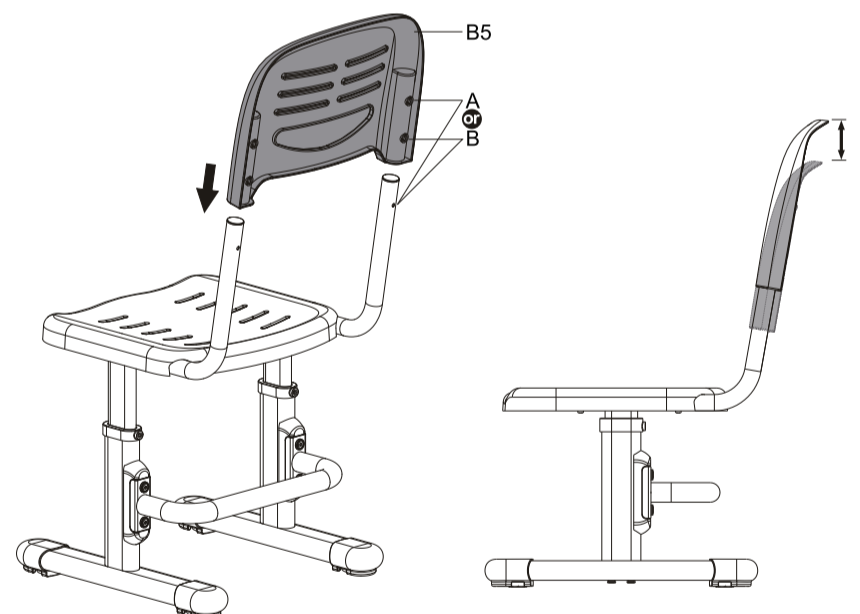
1



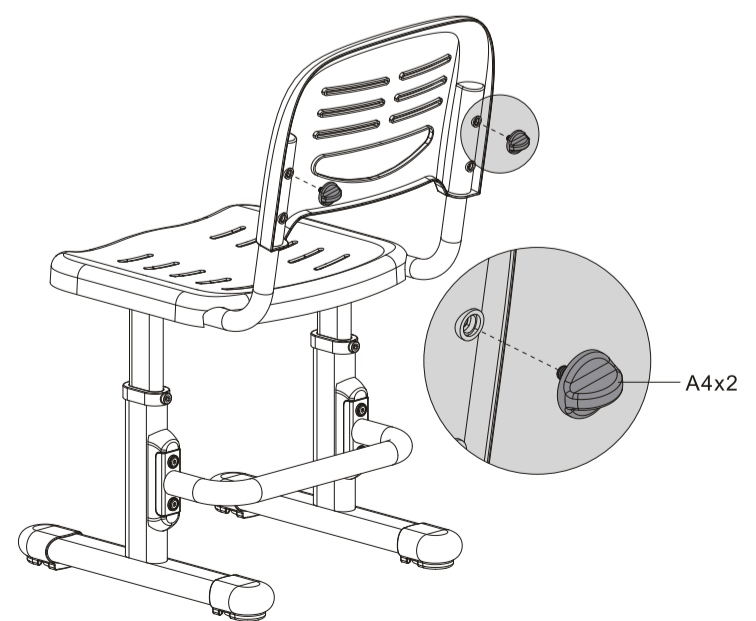
2

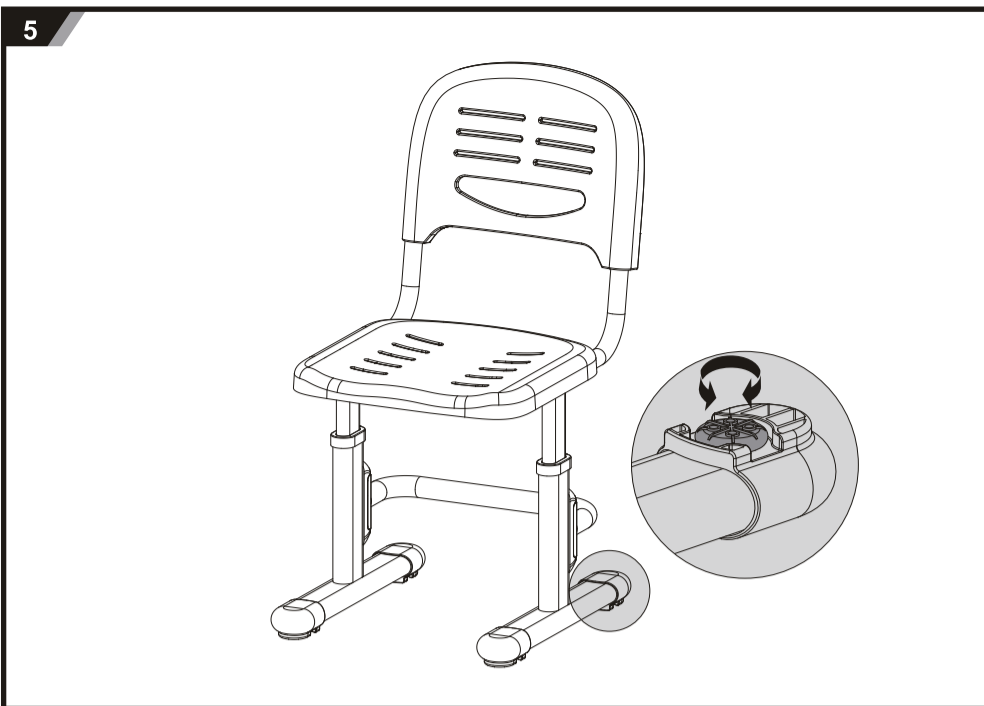


3

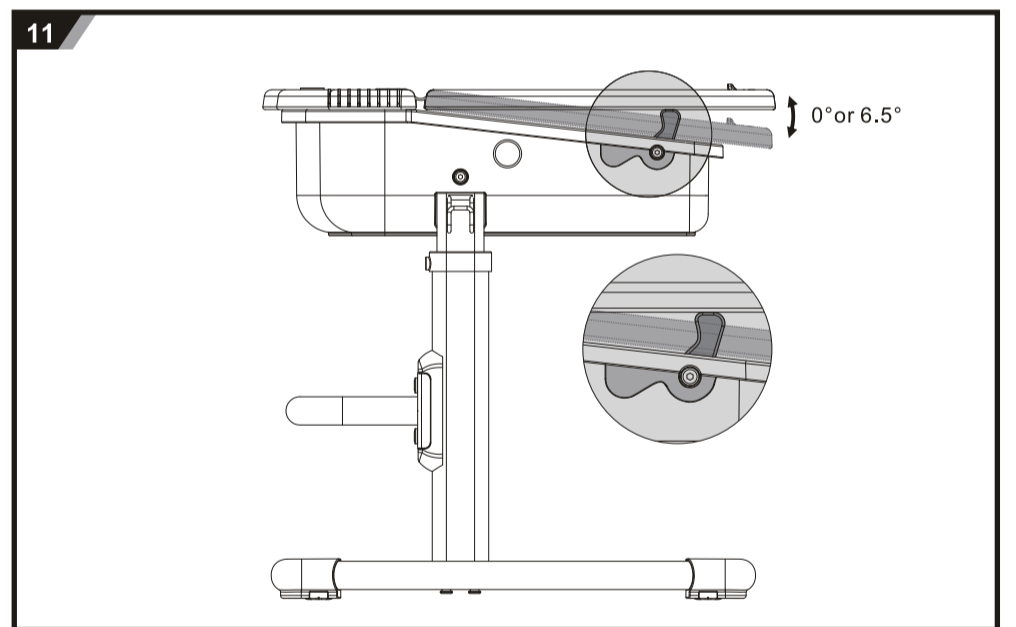
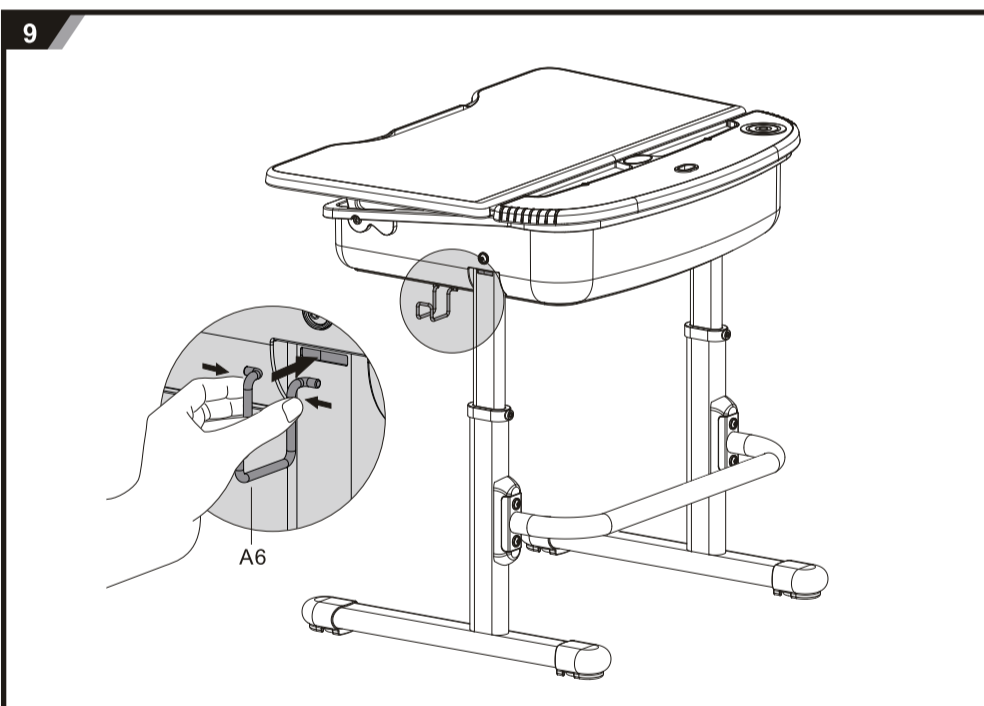
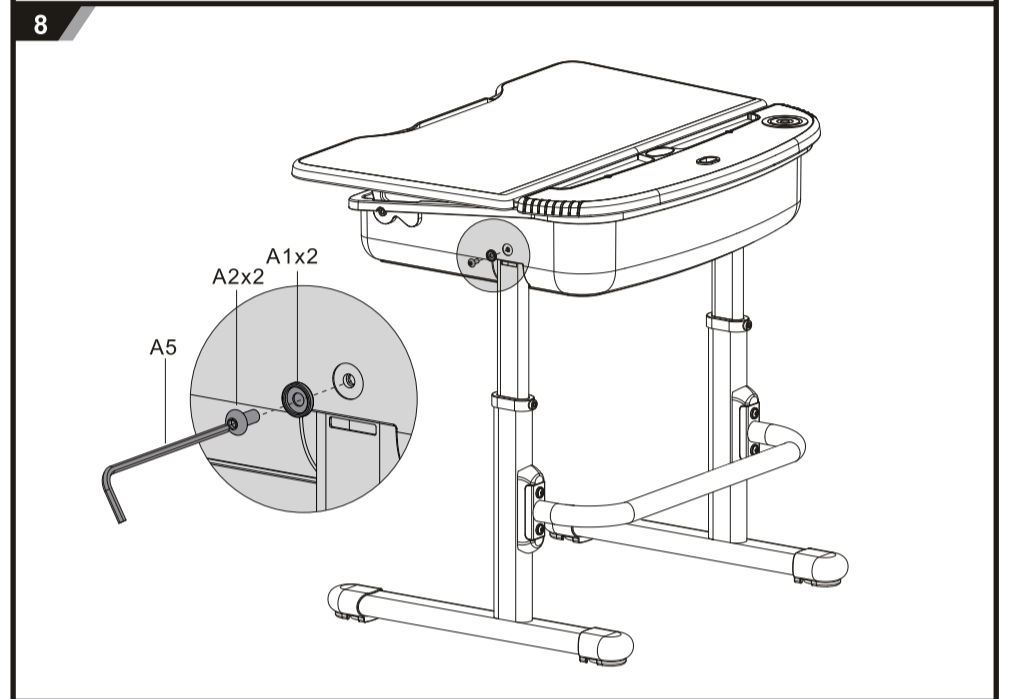
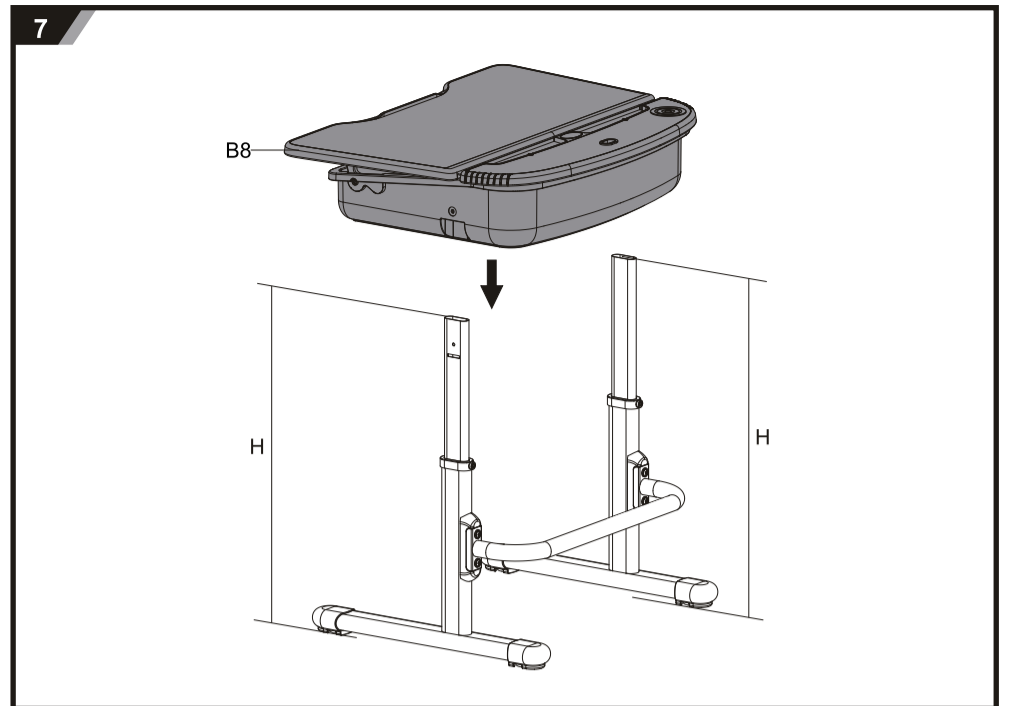
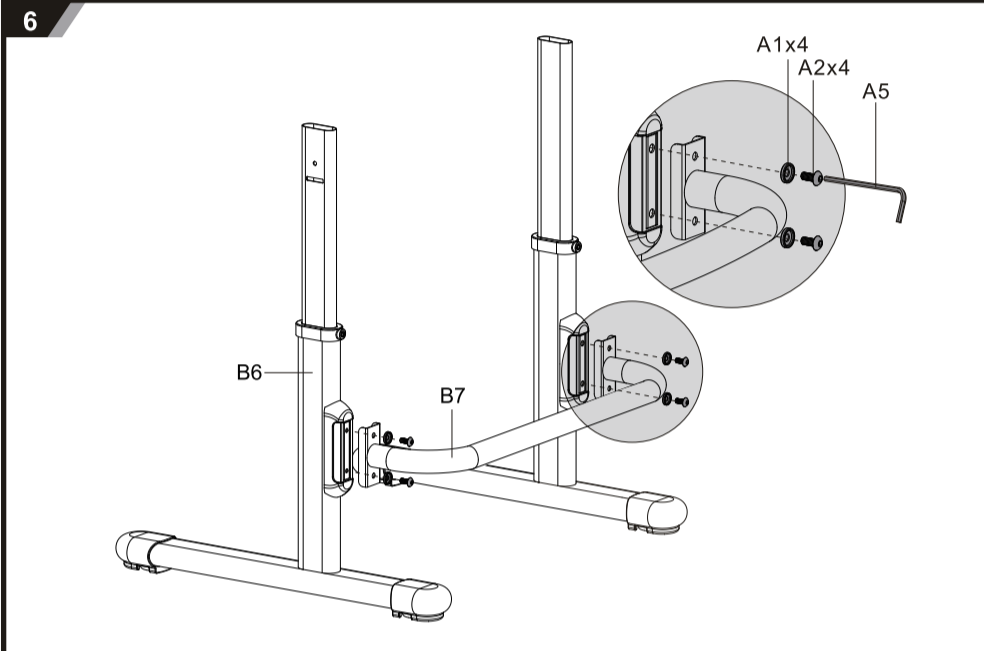


4

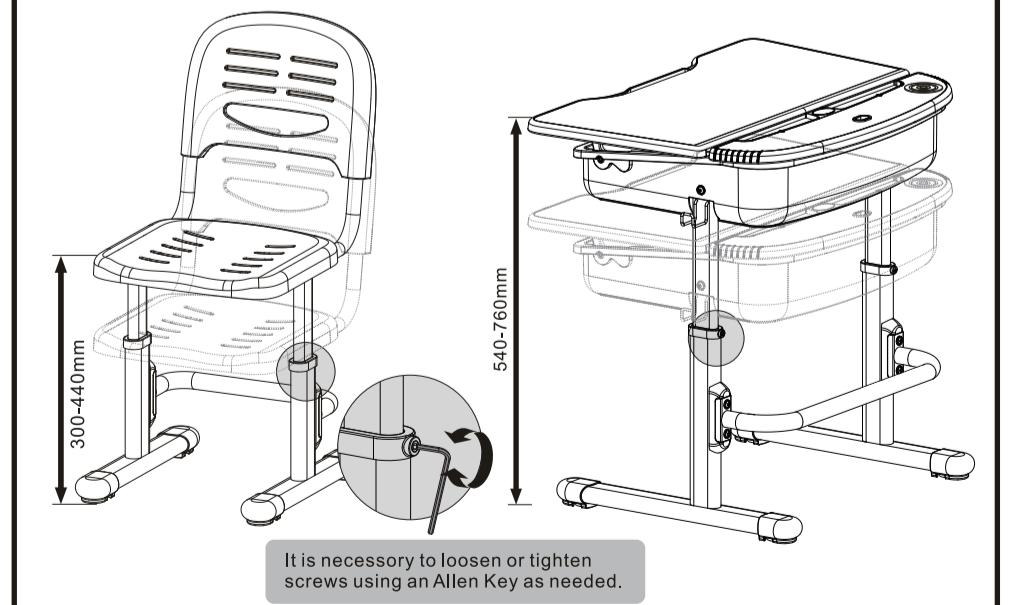
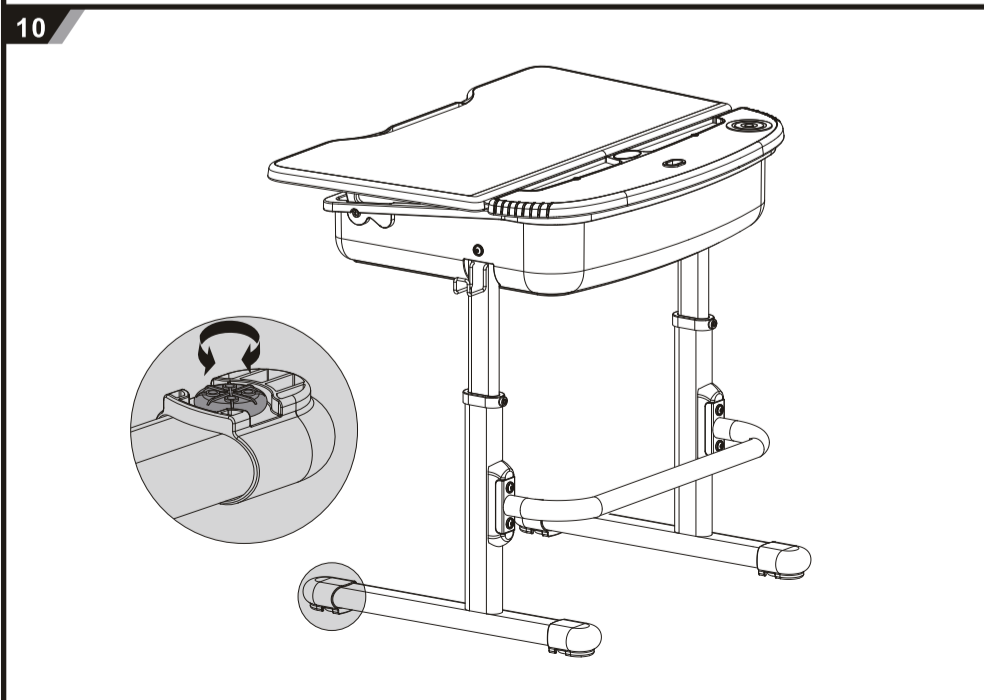




DESK ASSEMBLY INSTRUCTIONS



HEIGHT ADJUSTMENT



It is necessary to loosen or tighten screws using an Allen Key as needed.

HOW TO ADJUST HEIGHT
 Desk and chair can be adjusted by pulling up. Step on the support bar and pull up to the right height.
HOW TO LOWER HEIGHT
 Pull up to the max height and lower it slowly to the most bottom, then pull up to the right height.